



Micro Commercial Components

Micro Commercial Components  
 20736 Marilla Street Chatsworth  
 CA 91311  
 Phone: (818) 701-4933  
 Fax: (818) 701-4939

# BAS116

## Features

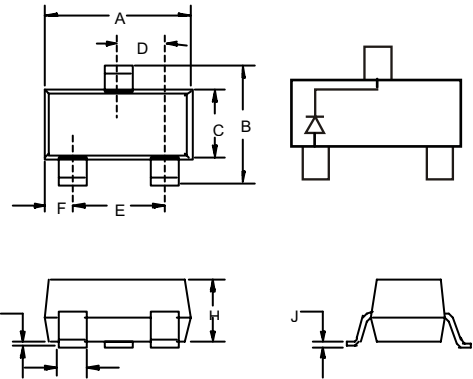
- Power dissipation: 225mW ( $T_{amb}=25^{\circ}C$ )
- Forward current:200mA
- Case Material: Molded Plastic. UL Flammability Classification Rating 94V-0 and MSL Rating 1
- Marking: JV

## 225mW Switching Diode

## Maximum Ratings

- Operating Temperature:  $-55^{\circ}C$  to  $+150^{\circ}C$
- Storage Temperature:  $-55^{\circ}C$  to  $+150^{\circ}C$

### SOT-23

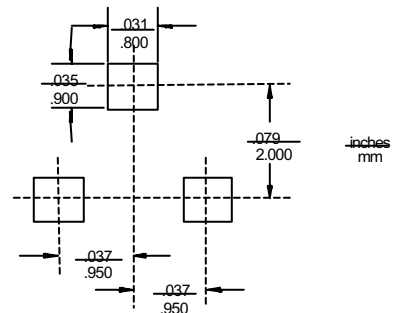


## Electrical Characteristics @ 25°C Unless Otherwise Specified

Reverse Voltage	$V_R$	75V	$I_R=100 \mu A$
Maximum Instantaneous Forward Voltage	$V_F$	0.9V 1.0V 1.1V 1.25V	$I_{FM}=1mA$ ; $I_{FM}=10mA$ ; $I_{FM}=50mA$ ; $I_{FM}=150mA$ ;
Maximum DC Reverse Current At Rated DC Blocking Voltage	$I_R$	5.0nA	$V_R=75Volts$
Diode Capacitance	$C_D$	2pF	Measured at 1.0MHz, $V_R=0V$
Reverse Recovery Time	$T_{rr}$	3 $\mu s$	

DIM	DIMENSIONS				NOTE
	INCHES		MM		
	MIN	MAX	MIN	MAX	
A	.110	.120	2.80	3.04	
B	.083	.098	2.10	2.64	
C	.047	.055	1.20	1.40	
D	.035	.041	.89	1.03	
E	.070	.081	1.78	2.05	
F	.018	.024	.45	.60	
G	.0005	.0039	.013	.100	
H	.035	.044	.89	1.12	
J	.003	.007	.085	.180	
K	.015	.020	.37	.51	

### Suggested Solder Pad Layout





Micro Commercial Components

## Ordering Information

Device (Part Number)-TP	Packing Tape&Reel;3Kpcs/Reel
----------------------------	---------------------------------

### \*\*\*IMPORTANT NOTICE\*\*\*

*Micro Commercial Components Corp.* reserves the right to make changes without further notice to any product herein to make corrections, modifications, enhancements, improvements, or other changes. *Micro Commercial Components Corp.* does not assume any liability arising out of the application or use of any product described herein; neither does it convey any license under its patent rights, nor the rights of others. The user of products in such applications shall assume all risks of such use and will agree to hold *Micro Commercial Components Corp.* and all the companies whose products are represented on our website, harmless against all damages.

### \*\*\*APPLICATIONS DISCLAIMER\*\*\*

Products offer by *Micro Commercial Components Corp.* are not intended for use in Medical, Aerospace or Military Applications.